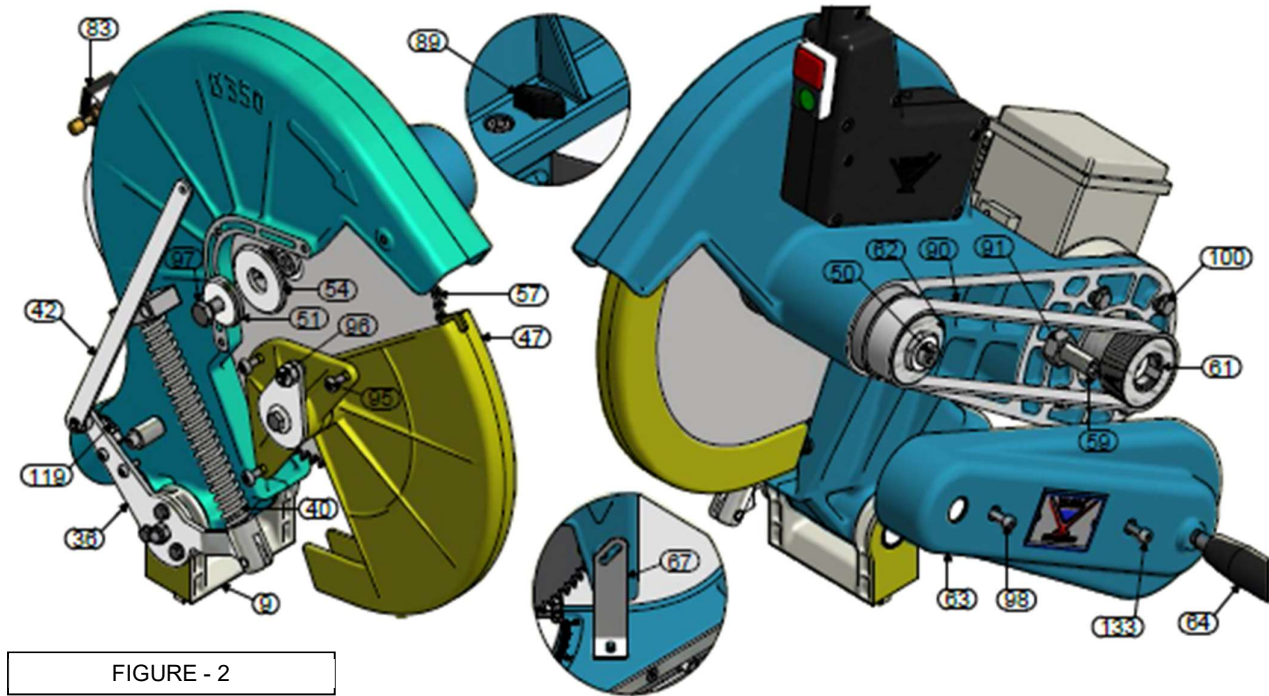
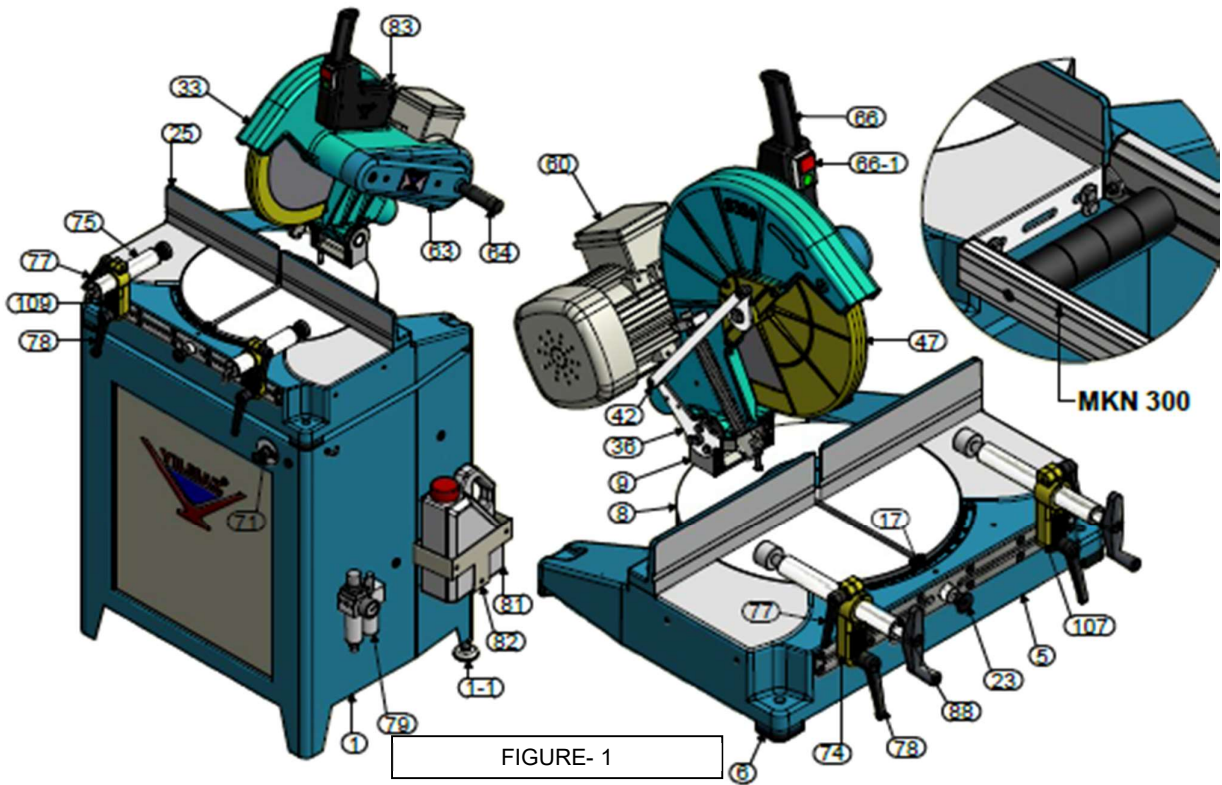


KD 350/400 - PART LIST



SPARE PART LIST				
PART NO.	PICTURE	DESCRIPTION	PART NO.	STOCK CODE
1		MACHINE STAND	AC LUNA MS 1	
1 - 1		LEVELING FEET		1SC170000-0007
5		MACHINE BASE CASTING		2TU012610-0094
6		RUBBER FEET		1PL030000-0017
8		ROTATING TABLE	SP KD350/400/0009	2TU011610-0009
9		PIVOT YOKE	SP KD350/400/0002	3UA320030-0002
17		DEGREE INDICATOR	SP KD350/400/0043	2TU011441-0043
23		PIN LOCATOR	SP KD350/400/0003	3UA030030-0003
25		FENCE	SP KD350/400/0103	2TU012610-0100
33		HEAD CASTING	SP KD350/0363	2TU012710-0007 (KD 350)
33		HEAD CASTING	SP KD400/0367	2TU012710-0008 (KD 400)
36		FORK SHEET	SP KD350/0098	2TU011441-0905 (KD 350)
36		FORK SHEET	SP KD400/0099	2TU011441-0906 (KD 400)

PART NO.	PICTURE	DESCRIPTION	PART NO.	STOCK CODE
40		RETURN SPRING	SP KD350/0023	1YY011000-0023 (KD 350)
40		RETURN SPRING	SP KD400/0025	1YY011000-0025 (KD 400)
42		GUARD ARM	SP KD350/0073	2TU011210-0073 (KD 350)
42		GUARD ARM	SP KD400/0100	2TU011210-0100 (KD 400)
47		SAW GUARD	SP KD350/0364	3UA320030-0014 (KD 350)
47		SAW GUARD	SP KD400/0369	3UA410030-0014 (KD 400)
50		BLADE SHAFT	SP KD350/400/0135	2TU011110-0135
51		BLADE WASHER	SP KD350/400/0857	2TU011110-0857
54		OUTER BLADE WASHER	SP KD350/400/0651	2TU011441-0651
57		Ø 350mm SAW BLADE	B 301 350	1SK010000-0003
57		Ø 400mm SAW BLADE	B 301 400	1SK010000-0004
59		BELT TENSIONER	SP KD350/400/1018	2TU011110-1018
60		MOTOR (230V-1P 50 Hz)	SP KD350/400/0000	1EL070001-0002
60		MOTOR (415V 3P 50 Hz)	SP KD350/400/0001	1EL070001-0001

PART NO.	PICTURE	DESCRIPTION	PART NO.	STOCK CODE
61		MOTOR PULLEY	SP KD350/400/0029	2TU012110-0029
62		SPINDLE PULLEY	SP KD350/400/0028	2TU012110-0030
63		BELT COVER	SP KD350/0366	2TU012610-0097 (KD 350)
63		BELT COVER	SP KD400/0369	2TU012610-0099 (KD 400)
64		PIVOT HANDLE		1PL010000-0076
66		HANDLE	SP KD350/400/0042	1PL010000-0042
66-1		START/STOP SWITCH COMPLETE		1EL090000-0017
67		LOCKING BRACKET		2TU011441-0305
71		CLAMP SWITCH		1PN010000-0087
74		CLAMP HOLDER LEFT	PC PCK 002	2TU012610-0054
75		PNEUMATIC CLAMP	PC RJ 032C0175	3UA060030-0013
75-1		CLAMP PAD	PC TPN 00001	1PL010000-0033
77		KIPP HANDLE M8x32	SP KIPP M8KD32	3UA040030-0007
78		KIPP HANDLE M10x50	SP KIPP M10KD50	3UA040030-0002

PART NO.	PICTURE	DESCRIPTION	PART NO.	STOCK CODE
79		FILTER/REGULATOR LUBRICATOR	PR TK 000065	3UA110030-0020
81		COOLANT BOTTLE	PS TA 000350	1PL010000-0020
82		BOTTLE HOLDER	PS TA 000360	2TU011410-0014
83		SPRAY MIST VENTURI VALVE	PS TA 000330	1PN010000-0012
86				4UN300030-0001
87				2TU012610-0009
88		MANUAL CLAMP		3UA090030-0008 (KD 350-400 M/D)
89		INTERMEDIATE LOCKING KNOB		2TU011110-0145
90		MOTOR BELT	SP B MS350	1SR070000-0007 (KD 350)
90		MOTOR BELT	SP B MS400	1SR070000-0006 (KD 400)
91		NUT M16		1SC071000-0005
95		BLADE GAURD SCREW M6		1SC041000-0014
96		CIRCLIP	SP KD350/400/0006A	1SC131000-0006
97		BLADE BOLT M10		1SC011000-0002
98		GUARD BOLT M6X60		1SC021000-0050

PART NO.	PICTURE	DESCRIPTION	PART NO.	STOCK CODE
100		MOTOR MOUNTING BOLT M8		
107		CLAMP HOLDER RIGHT	PC PCK 001	2TU012610-0010
109		6MM X 1/8" ELBOW FITTING	PF ZK 680618	1PN140000-0005
119		3/2 VALVE S/RET NO 1/8"	PV AZ 431 MP KD SP KD350/400/0157	1PN0140000-0157
133		GUARD BOLT M6X20		
		GUARD ARM BRACKET	SP KD350/0020	2TU011441-0020
		GUARD ARM BRACKET	SP KD400/0044	2TU011441-0044
		SPRING SHAFT	SP KD350/0244	2TU011110-0244
		HEAD CASTING	SP KD350/0363	2TU012510-0363
		6204 BEARING	SP KD350/400/0005	1SR010000-0005
		INNER BLADE FLANGE	SP KD350/400/0006	2TU011710-0006
		GUARD SIDE COVER	SP KD350/400/0008	
		ROTATING BASE	SP KD350/400/0009	2TU012610-0009
		REAR BUFFER	SP KD350/400/0014	1PL030000-0014
		RUBBER GUARD BUFFER	SP KD350/400/0015	1PL030000-0015
		SWITCH COMP 415V	SP KD350/400/0049	3UA320030-0049
		SWITCH COMP 240V	SP KD350/400/0050	3UA320030-0050

PART NO.	PICTURE	DESCRIPTION	PART NO.	STOCK CODE
		START / STOP BUTTON COVER	SP KD350/400/0051	1PL030000-0015
		BEARING COVER	SP KD350/400/0066	2TU012110-0066
		CAPACITOR 40UF KD350/400	SP KD350/400/0080	1EL80000-0080
		BLADE BUSH 30/32	SP KD350/400/0122	2TU011110-0122
		GUARD CONNECTOR	SP KD350/400/0136	2TU011110-0136
		GUARD BASE PLATE	SP KD350/400/0162	2TU012510-0162
		GUARD ARM PIN	SP KD350/400/0237	2TU011110-0237
		SPRING SHAFT FORK	SP KD350/400/0244	2TU011110-0244
		REAR BRACKET	SP KD350/400/0349	2TU012210-0349
		PIVOT PIN	SP KD350/400/0419	2TU011110-0419
		SLIDING NUT 10MM OLD 3mm x 14mm Base	SP KD350/400/0810	
		SLIDING NUT 10MM 3mm x 19.5 dia Base		
		SLIDING Nut 10MM NEW 6mm x 20mm dia Base	SP KD350/400/0811	2TU011110-0811
		MINI BALL VALVE 1/8" M/F	PF VSF 21800	